

MAGNET S20 pH RX

- MAGNET S20 pH RX is a polyvalent and configurable pump with **regulator** to measure either the pH or the redox.
- Measuring ranges :
 - pH from 0 to 14 pH
 - redox from 0 to 1000 mV
- Dosing is **proportional** to the treatment product demand
- The pump has an input to receive a level probe (probe upon request) and a manual drain on the pump
- Some models are equipped with a **noise reduction** system (see table below)



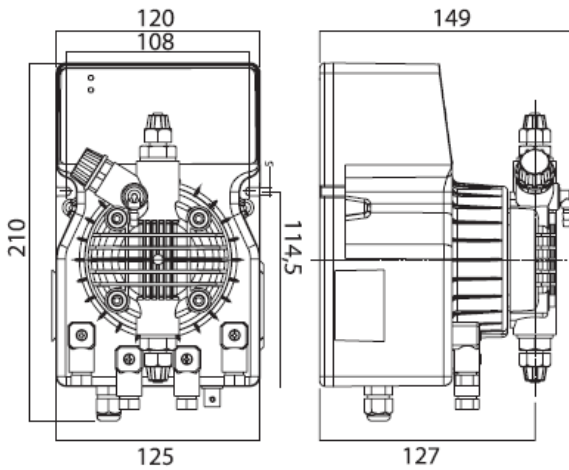
TECHNICAL CHARACTERISTICS

Type	Max flow	Max press	Max imp/min	Dosed by imp.	Suction heigh	Std. power supply	Ener.	Net weight
	l/h	bar		ml	m	Volts - Hz	Watts	Kg
2 - 3*	2	3	120	1,11	1,5	230 V 50-60 Hz	58	2,9
8 - 3*	8	3	120	1,67	1,5	230 V 50-60 Hz	58	2,9
12 - 3	12	3	120	2,22	1,5	230 V 50-60 Hz	58	2,9

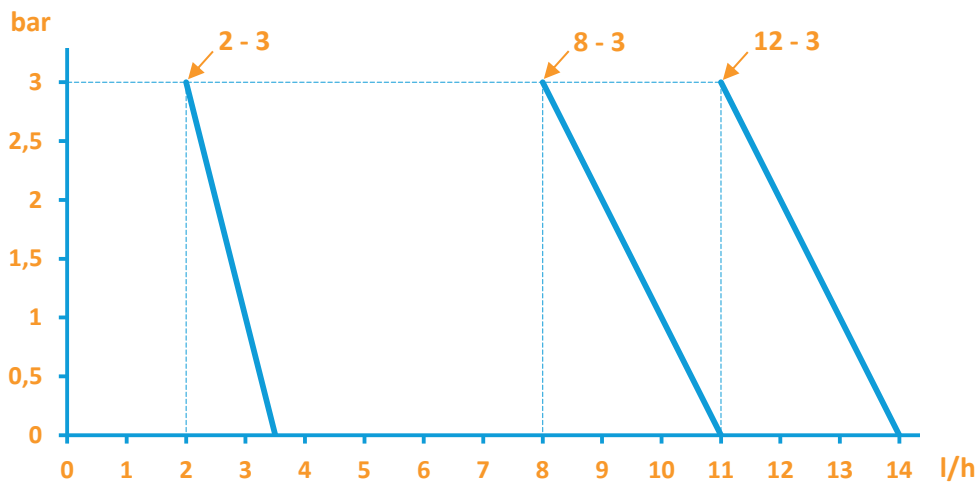
*Quiet pump equipped with a noise reduction system

- **Comes with :**
 - 1 injection valve G1/2"
 - 1 foot filter
 - 1 PVC tube of 4m transparent for suction / boot
 - 1 PE tube of 2m white to repression
 - 1 instruction manual
- **Standard materials :**
 - Pump head : PP (upon request PVDF, PVC)
 - Membrane : Téflon
 - Garnitures : FPM (Viton[®]) (upon request EPDM (Dutral[®]))
 - Valves : lip valve (upon request ceramic or glass ball valves)

• **Dimensions :**



• **Flow rate vs Pressure diagram :**



AVADY POOL - 9, Chaussée Jules César, Bâtiment 4 Hall 406 - 95520 OSNY – France

Tel : +33 (0)1 34 48 16 03 Fax : +33 (0)1 78 76 73 95 Email : contact@avadypool.com Web : www.avadypool.com

Viton® and Dutral® trademark by Dupont Elastomère. It is the responsibility of the user to ensure that these products are in line with their needs.
The use of these products by third parties beyond our control will void any warranty.